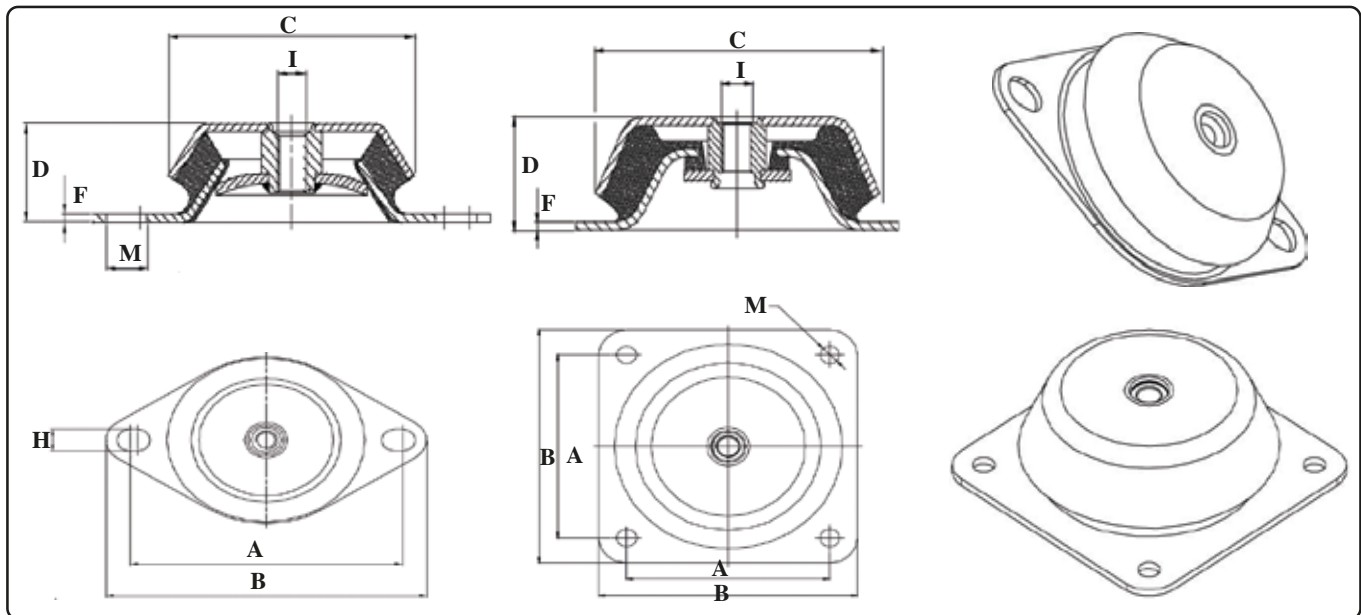


18-02-2013

ANTIVIBRANTE EQUIFREQUENZIALE - INSERTO FILETTATO

CODICE	ARTICOLO	Durezza (IRHD)	A	B	C	D	F	HM	I	Rigidezza media (Kg/mm)	Carico max (daN)	Defl. max (mm)	Peso Kg
110.24.001 W	TCPVE 7590 W	45(40-45)	75+90	106	60	31	3	8,3x16	M 12	9,0	31,0	3,4	0,220
110.24.001 K	TCPVE 7590 K	50(47-53)								12,0	36,0	3,3	
110.24.001 M	TCPVE 7590 M	60(55-60)								16,0	53,0	3,3	
110.24.001 H	TCPVE 7590 H	70(65-70)								22,0	73,0	3,3	



04-02-2013

SUPPORTI ANTIVIBRANTI A CAMPANA - SCARICATI

CODICE	ARTICOLO	Durezza (IRHD)	A	B	C	D	F	HM	I	Rigidezza media (Kg/mm)	Carico max (daN)	Defl. max (mm)	Peso Kg
110.34.003 W	TCPVS 110-12 W	45(40-45)	110	127	82	35	2	11	M12	12,0	70,0	6,0	
110.34.003 M	TCPVS 110-12 M	60(55-60)								22,0	130,0	5,8	
110.34.003 H	TCPVS 110-12 H	70(65-70)								28,0	160,0	5,5	
110.34.004 W	TCPVS 142 W	45(40-45)	138-146	172	106	38	3	14x18	M16	55,0	192,5	3,5	
110.34.004 M	TCPVS 142 M	60(55-60)								100,0	350,0	3,5	
110.34.004 H	TCPVS 142 H	70(65-70)								150,0	450,0	3,0	
110.34.005 W	TCPVS 182 W	45(40-45)	179-186	216	144	48	4	14x18	M16	100,0	700,0	7,0	1,6
110.34.005 M	TCPVS 182 M	60(55-60)								200,0	1340,0	6,7	
110.34.005 H	TCPVS 182 H	70(65-70)								300,0	1950,0	6,5	
110.34.006 W	TCPVS 132x2 W	45(40-45)	132x2	168	150	51	4	n.4x13	M16	110,0	440,0	4,0	1,8
110.34.006 M	TCPVS 132x2 M	60(55-60)								210,0	880,0	4,2	
110.34.006 H	TCPVS 132x2 H	70(65-70)								310,0	1240,0	4,0	